

TABLE OF CONTENTS
Diesel Locomotive Drawings

<u>Page</u>	<u>Drawing</u>
2	GP-7 Delivery Scheme
3	GP38 Delivery Scheme
4	SD39 Delivery Scheme
5	SW1200 Various Schemes
7	SW1200 Delivery Scheme
8	SW1500 Delivery Scheme

8200745

PERMISSIBLE VARIATION ON COMMON
FRACTION DIMENSIONS TO MACHINED SURFACES
TO BE .010 UNLESS OTHERWISE SPECIFIED.
FABRICATION TOLERANCE.

BREAK ALL SHARP CORNERS
UNLESS OTHERWISE SPECIFIED

COUNTERSINK ALL TAPPED
HOLES 1/16" X ONE THRU 5 DEEP

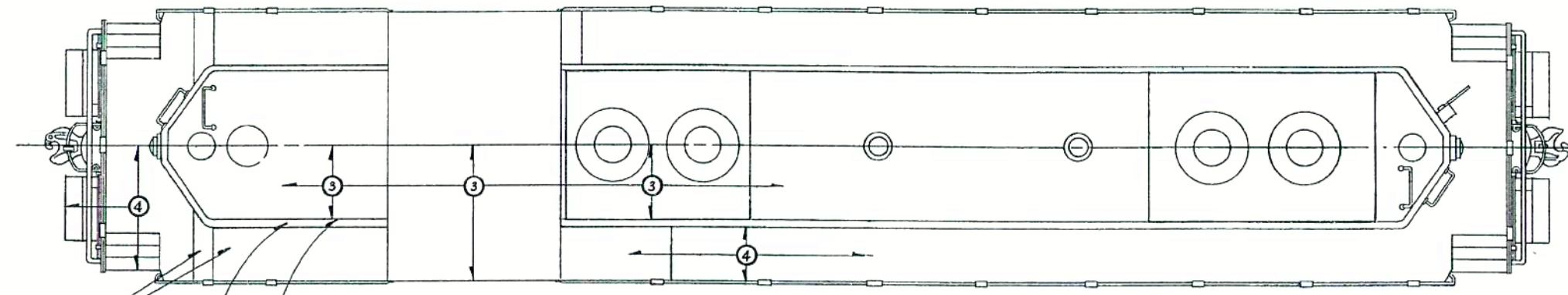
STYLING & PAINTING

COLOR	TYPE	CODE	EMD NO
GREEN	DUCO	254-51552	8200537
YELLOW	DUCO	254-50831	8200536
GRAY	DUCO	254-34793	8106265
BLACK	DUCO	243-2504	8106292
BLACK	DULUX	88-762	8106299
SILVER	SCOTCHLITE		

DETAILS

A	8200746 - LETTERBOARD - 8"
B	8200747 - STEERING PATTERN
C	8148658 - NUMERALS - NO. BOX - 8"
D	8176485 - NUMERALS - 8"
E	8071850 - LETTER "F" - 5"

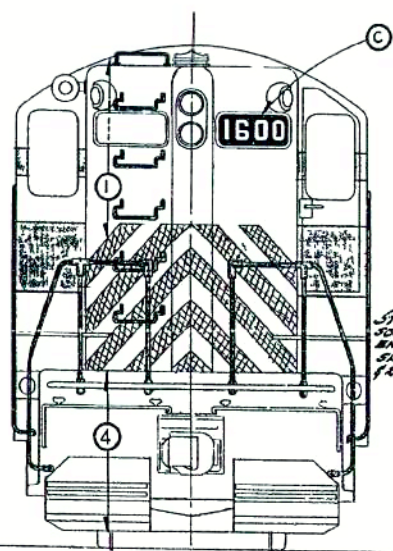
REMARKS



STEP TREADS & RAISED PLATFORM TREADS ON LEFT SIDES, FRONT & REAR.

NOTE - GRAY AREA ON HOODS EXTENDS ONLY TO CORNER. RADIUS - AS SHOWN.

COOLING FANS ARE NOT TO BE PAINTED. COOLING FAN GUARDS TO BE PAINTED BLACK BASICALLY BEFORE APPLICATION TO FANS.

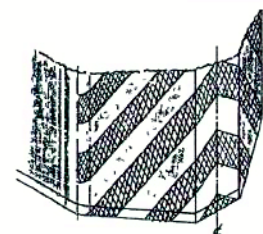


STOP PUSH POLE SOCKET & STOP HAND PLATE AS SHOWN - FRONT & REAR, R/L SIDES.

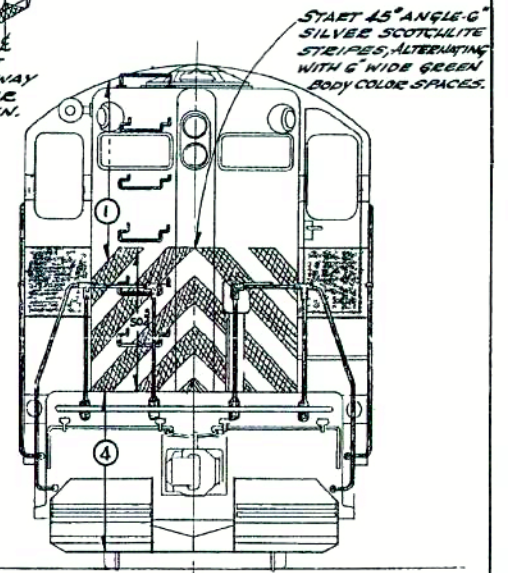
FROM CORNER, RADIUS - FRONT & REAR.

DEEP NUMERALS SLIGHTLY IF NECESSARY TO AVOID FLAG BEATS. CENTER IN PANEL BETWEEN DOORS & DUPLICATE LOCATION ON R. SIDE.

CENTER LETTERBOARD BETWEEN LOUVERS.

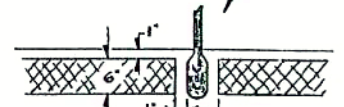
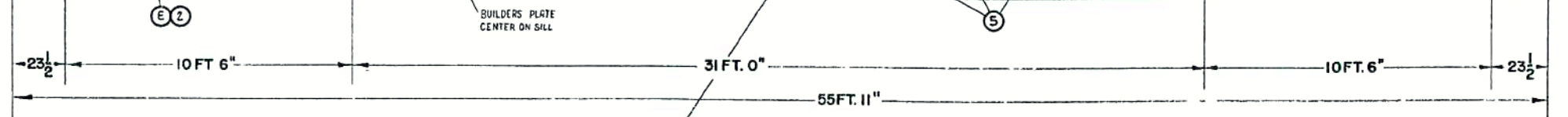


USE SCOTCHLITE STRIPES HALF WAY AROUND CORNER. RADIUS AS SHOWN.



START 45° ANGLE. 6" SILVER SCOTCHLITE STRIPES, ALTERNATING WITH 6" WIDE GREEN BODY COLOR SPACES.

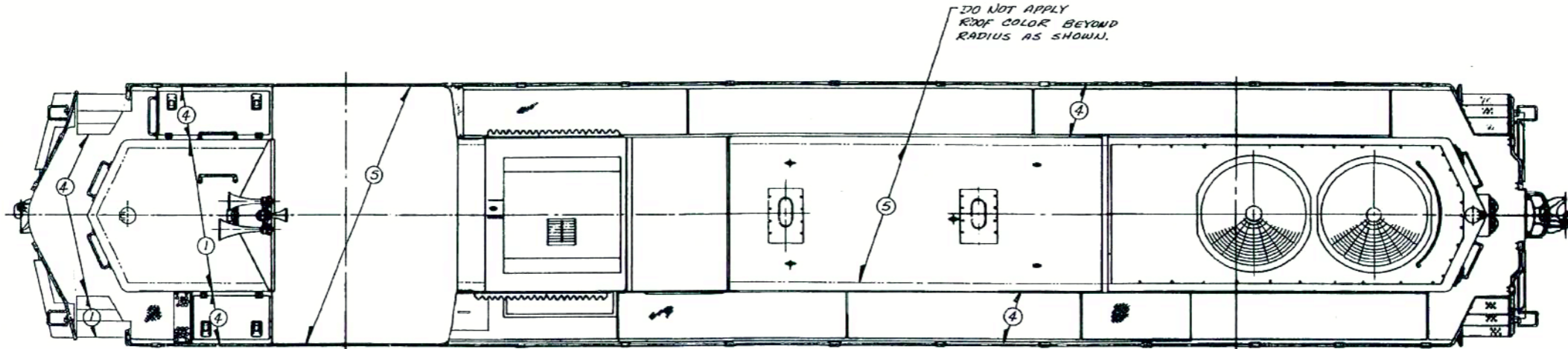
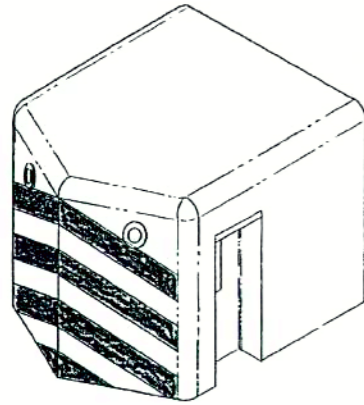
ALL GEARBOXES, HANDRAILS & LADDERS.



STOP SCOTCHLITE STEERING 1" FROM HANDRAIL FEET, BUILDERS PLATE, LETTER "F" & PUSH POLE SOCKETS AS SHOWN.

NO.	REV.	DATE	BY	CK	APVD	MATERIAL	NAME OF PART	PART NO.	IT NO.
1							ELECTRO-MOTIVE DIVISION GENERAL MOTORS CORPORATION LA GRANGE, ILLINOIS, U.S.A.		
							STYLING & PAINTING		
							GPT		
									8200745

9331786

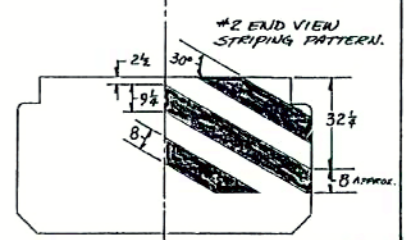
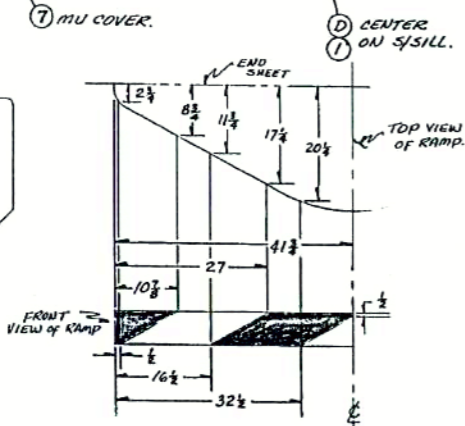
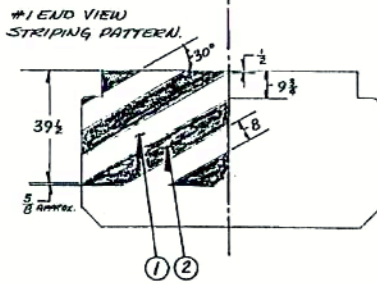
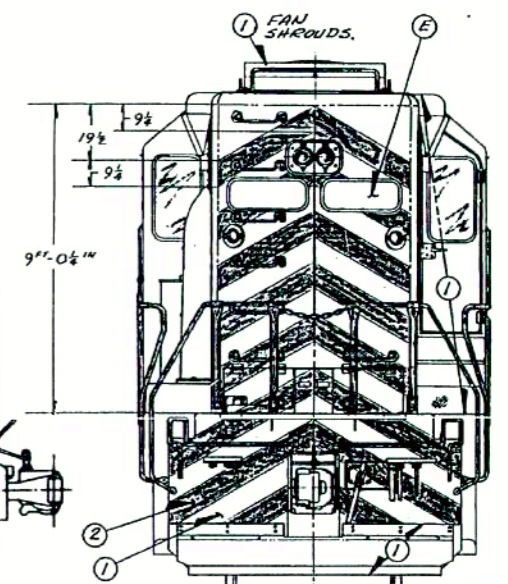
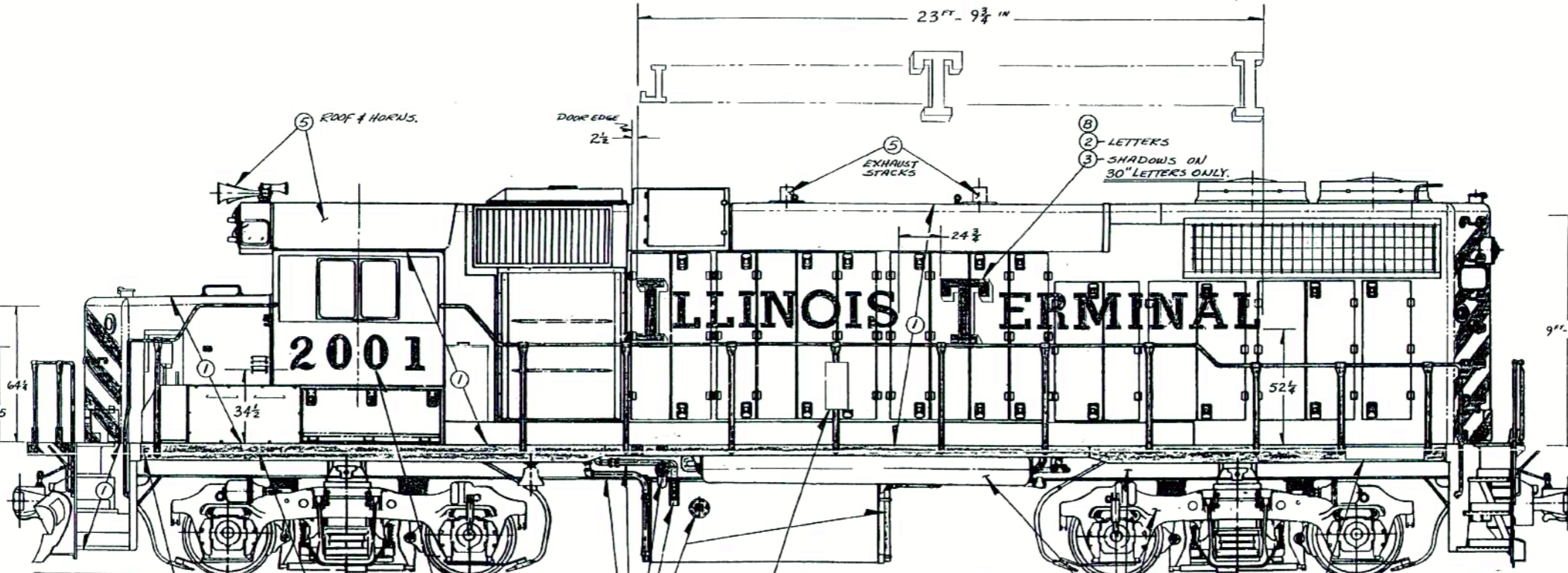
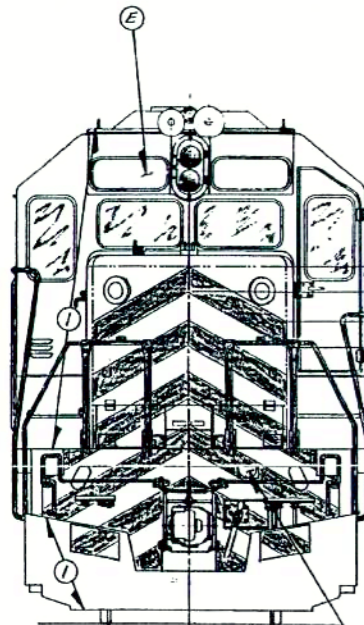


DO NOT APPLY ROOF COLOR BEYOND RADIUS AS SHOWN.

STYLING AND PAINTING			
COLOR	TYPE	REFER.	EMD NO.
1 GREEN	ACRYLIC	939-Y-74844	9330721
2 YELLOW	"	939-Y-5248	8443308
3 RED	"	939-Y-67436	8440378
4 BLACK	"	939-Y-67391	8288509
5 ALUMINUM	"	939-Y-94980	8440368
6 ALUMINUM	ENAMEL	166-Y-66265	8114351
7 RED	"	88-1863	8106365

DETAILS	
DRG. NO.	DESCRIPTION
A	
B 9331788	LETTERING - 30 & 17 IN.
C 8428601	NUMERALS - 16 IN.
D 8071350	LETTER F - 3 IN.
E EDL-30794	NO. BOX NO'S. - 8 1/2 IN.
F	
G	
H	
I	
J	
K	
L	
M	
N	
O	

REMARKS
 CAB & ENGINE RM INTERIOR-SWEDE GRAY, 8106297. ALL GRABS IRONS, HANDHOLDS & STANCHIONS-YELLOW, 8443308.
 ALSO SEE GEN S/P INSTRUCTIONS 9321746.



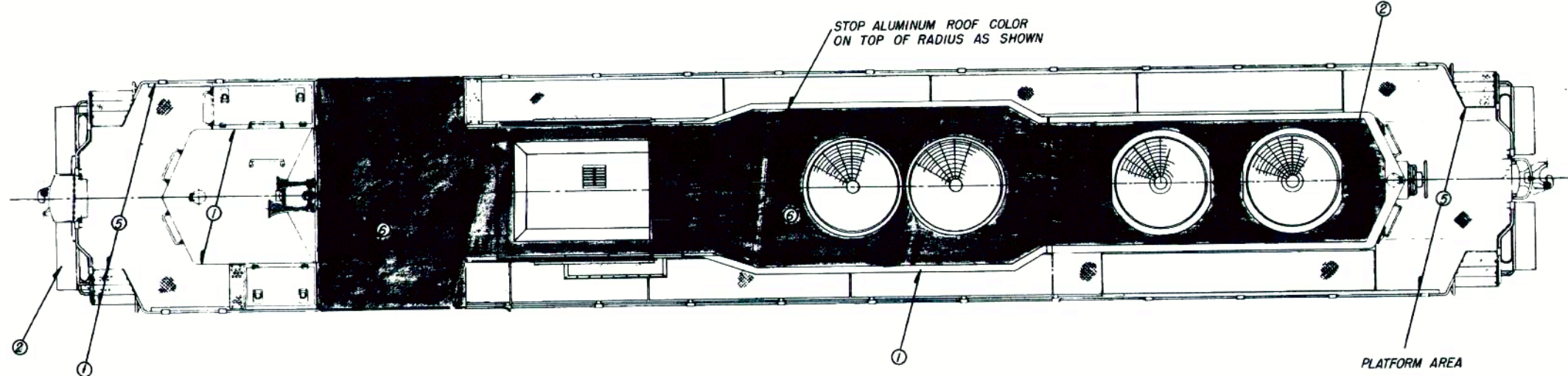
LOCATE ACI LABEL & PLATE ON 4TH STANCHION FROM CAB PER DWG. NO. 8485279 (EDL-29420) BOTH SIDES.

FUEL FILLER & VENT PIPES; FILLER CAP & STEM; AROUND GAUGES. DO NOT PRINT GLASS.

MATERIAL		NAME OF PART		PART NO.	IT NO.
83029 A		ELECTRO-MOTIVE DIVISION		GP38-2	9331786
REVISED		GENERAL MOTORS CORPORATION			
REVISED		LA OGDON, ILLINOIS, U.S.A.			
REVISED		STYLING			
REVISED		DATE OF PRINT			
REVISED		PART NO.			
REVISED		9331786			

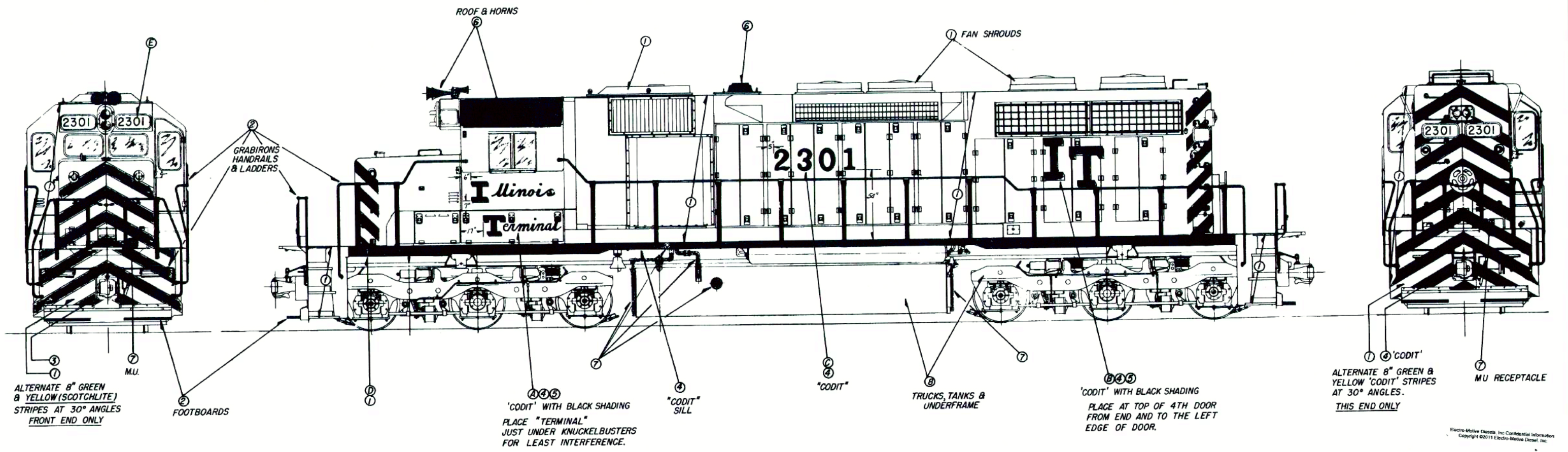
SPECIAL 1" CUT STENCILS:
 "ENGINE START SWITCH INSIDE" - ON RIGHT SIDE HOOD DOOR ADJACENT TO ENGINE GOVERNOR.
 "FIRE EXTINGUISHER INSIDE" - ON DOORS GIVING ACCESS TO EXTINGUISHERS.
 "ENGINE WATER FILL INSIDE" - ON TOP OF DOOR GIVING ACCESS TO CONNECTION.

STYLING AND PAINTING			
COLOR	TYPE	REFER.	END NO.
1 GREEN	ACRYLIC	890-51552	8360696
2 YELLOW	ACRYLIC	890-50831	8299474
3 YELLOW	SCOTCHLITE #3271		
4 YELLOW	CODIT		8377495
5 BLACK	ACRYLIC		8288509
6 ALUMINUM	ACRYLIC	893-94980	8293202
7 RED	ENAMEL	88-1863	8106365
8 ALUMINUM	ENAMEL		8114351



DETAILS	
DRG. NO.	DESCRIPTION
A 8428078	SCRIPT LETT.
B 8428079	30" 'L.T.'
C 8428601	16" NUMERALS
D 8071350	3" LETT. 'F'
E 8383766	8 1/2" NO BOX NO'S

REMARKS
 CAB INTERIOR TO BE SUEDE GRAY 810629Z.
 GRABIRONS PAINTED YELLOW 8299474.



Electro-Motive Diesel, Inc. Confidential Information
 Copyright ©2011 Electro-Motive Diesel, Inc.

REVISION		DATE	BY	CHK.	APPV.	DATE	BY	CHK.	APPV.	DATE	BY	CHK.	APPV.

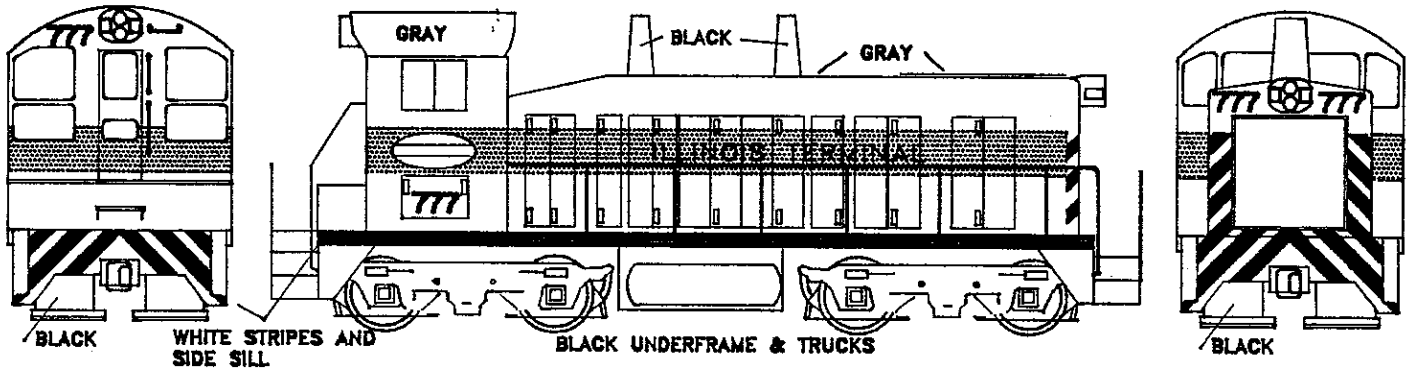
DATE OF PRINT	4-8-69	DATE OF PRINT	4-8-69
BY	RB	BY	RB
DATE OF PRINT	4-8-69	DATE OF PRINT	4-8-69
BY	RB	BY	RB

DATE OF PRINT	7/69	DATE OF PRINT	7/69
BY		BY	
DATE OF PRINT		DATE OF PRINT	
BY		BY	

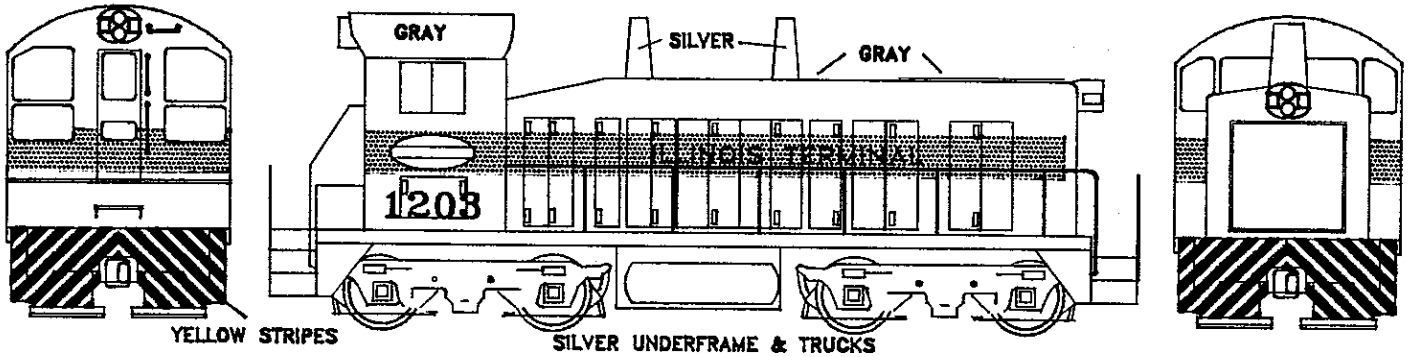
DATE OF PRINT	4-8-69	DATE OF PRINT	4-8-69
BY	RB	BY	RB
DATE OF PRINT	4-8-69	DATE OF PRINT	4-8-69
BY	RB	BY	RB

ELECTRO-MOTIVE DIVISION
 GENERAL SUPPORT ORGANIZATION
 LA GRANGE, ILLINOIS, U.S.A.
STYLING & PAINTING
 SD-39
8429201

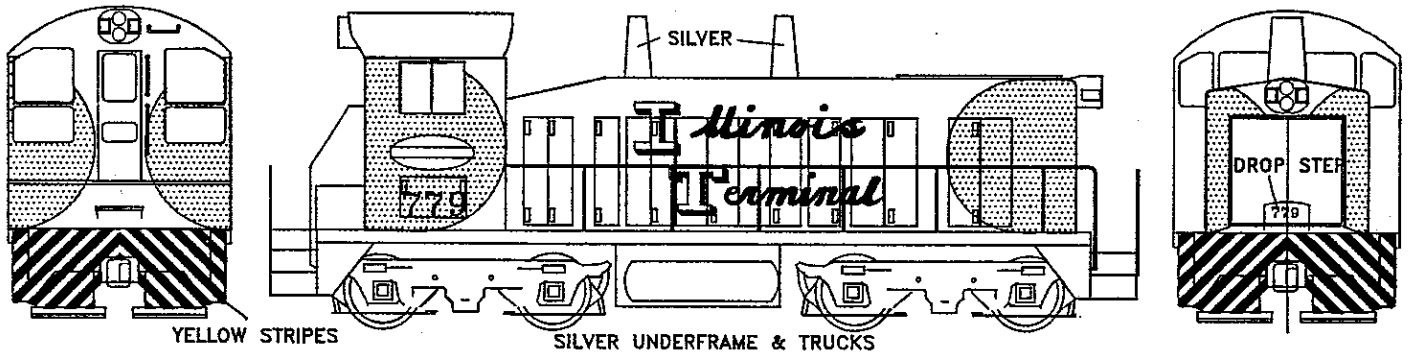
THE 1955 SCHEME



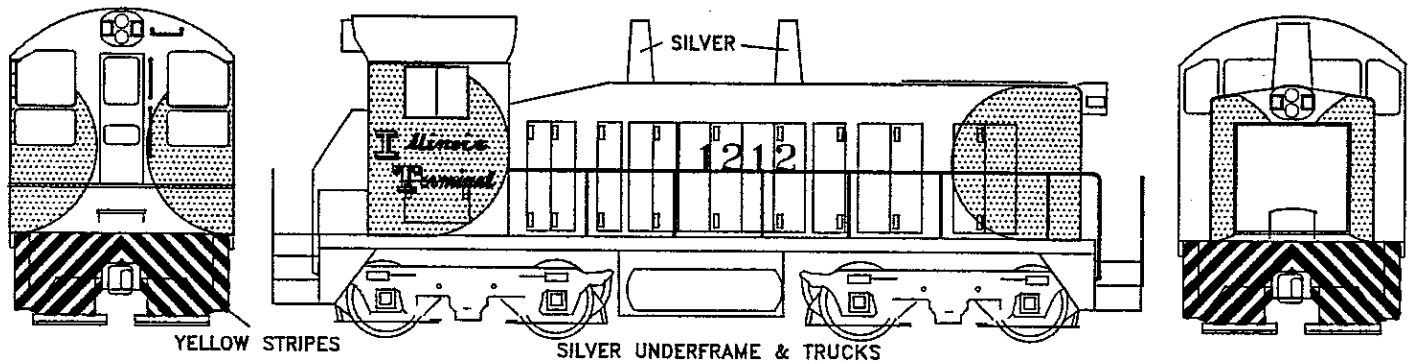
THE 1962-A SCHEME



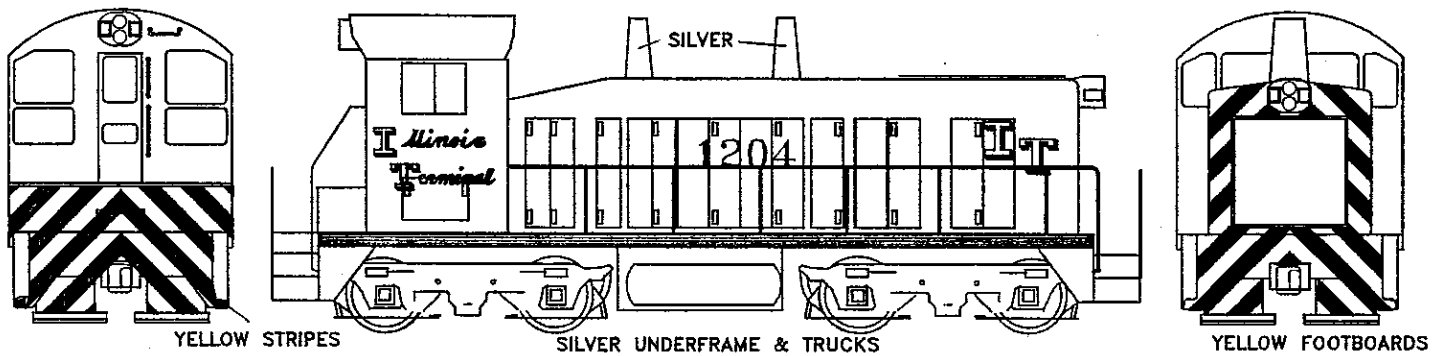
THE 1962-B SCHEME



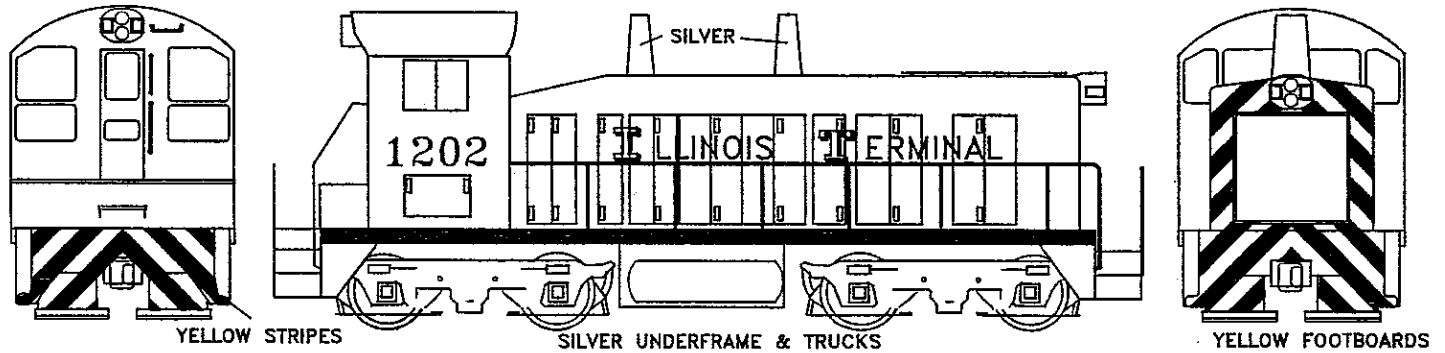
THE 1962-C SCHEME



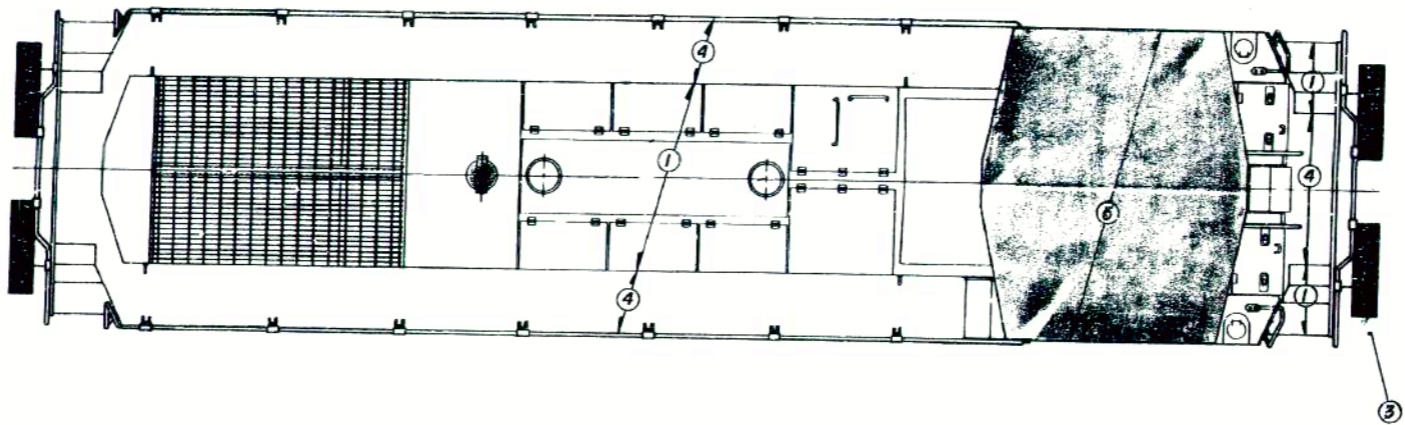
THE 1969 SCHEME



THE 1977 SCHEME



Drawings by Doug Spinn

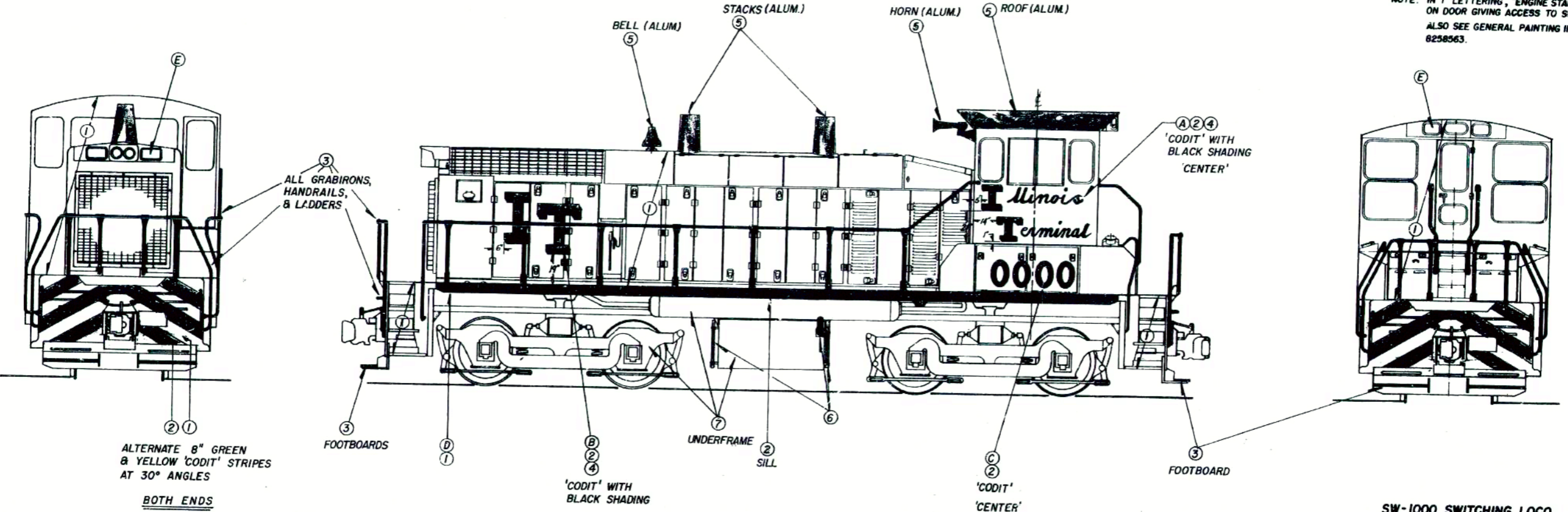


STYLING & PAINTING			
COLOR	TYPE	REFER.	END NO.
① GREEN	ACRYLIC	939-51552	8440366
② YELLOW	CODIT		8377495
③ YELLOW	ACRYLIC	939-AF-113	8440367
④ BLACK	ACRYLIC		8288509
⑤ ALUMINUM	ACRYLIC	939-94980	8440368
⑥ RED	ACRYLIC	939-1863	8440378
⑦ ALUMINUM	ENAMEL		8114351
⑧			
⑨			

DETAILS	
DRG. NO.	DESCRIPTION
A 8428078	SCRIPT LETT.
B 8428079	30" '1T'
C 8428601	16" NUMERALS
D 8071350	3" LETT. 'F'
E 8159441	4-1/2" NO BOX. NOS
F	
G	
H	
I	
J	
K	

REMARKS
 CAB INTERIOR TO BE - SUEDE GRAY 8106297
 GRABIRONS TO BE YELLOW - 8440367

NOTE: IN 1" LETTERING, "ENGINE START SWITCH INSIDE ON DOOR GIVING ACCESS TO SWITCH. ALSO SEE GENERAL PAINTING INSTRUCTIONS 8258563.



ALTERNATE 8" GREEN & YELLOW 'CODIT' STRIPES AT 30° ANGLES
 BOTH ENDS

NOTE:
 IF M.U. RECEPTICAL IS FURNISHED, PAINT RED.

SW-1000 SWITCHING LOCO.
 SW-1500 SWITCHING LOCO.

MATERIAL		DATE		BY		CHECKED		APPROVED	
ELECTRO-MOTIVE DIVISION GENERAL MOTORS CORPORATION LA GRANGE, ILLINOIS, U.S.A.		1-5-69		J.B.					
STYLING & PAINTING		DATE OF PRINT		PART NO.		REV.		ISSUE	
		1-5-69		8441188					
FIRST USED ON		4531 - ILLINOIS TERMINAL		DRAWN		DATE		1-5-69	